

# CLICKFIT

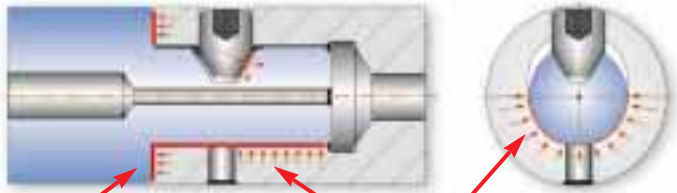


product **1999**  
update

# CLICKFIT

## The CLICKFIT Concept:

A clamping screw pushes the shank of the tool through a narrowed opening forcing elastic deformation of the steel holder. As the steel contracts around the tool, contact is made around slightly more than a full 180°. The result is rigidity comparable to a solid part.



Face Contact

Over 180° Peripheral  
Shank Surface Contact



# CLICKFIT

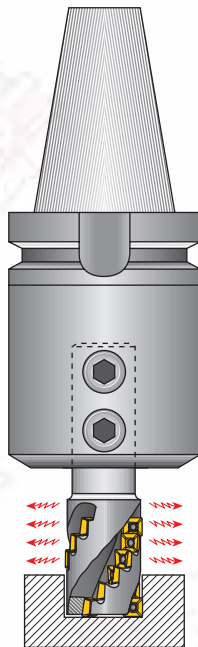
## CLICKFIT Clamping Enhances the Tool's Performance

### CLICKFIT Vs. WELDON CLAMPING

Material Alloy Steel  
 $V_c = 90 \text{ mm/min}$   
 $f_z = 0.15 \text{ mm/tooth}$

Weldon Clamping

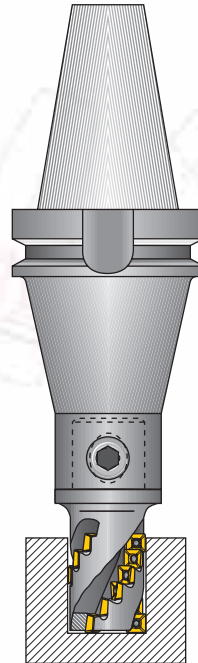
SPK D40-42-W32-10



**D.O.C.=25mm  
VIBRATION!!!**

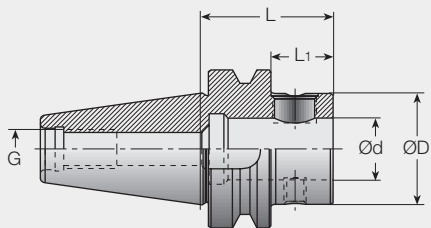
CLICKFIT Clamping

SPK D40-42-CF4



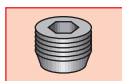
**D.O.C.=40mm  
Larger Depth of Cut  
Smooth Operation!**

# CLICKFIT



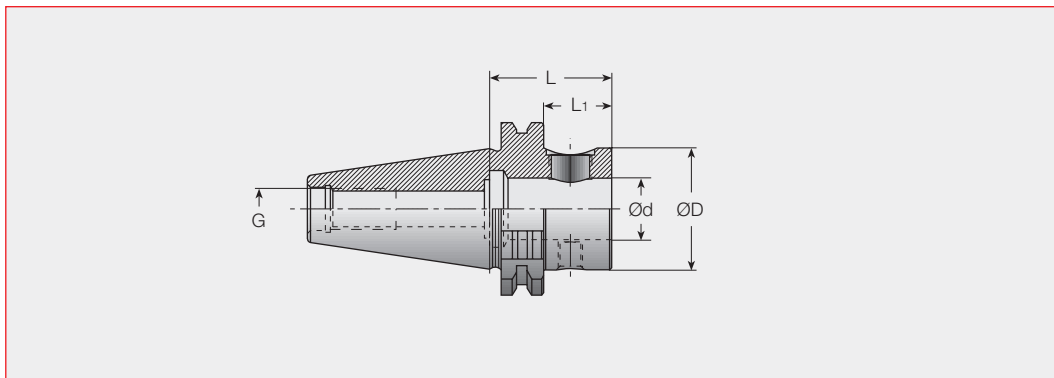
## BT MAS-403-CF4

Designation	Taper	L	L1	D	d	G
BT40 CF4-S	40	52	25	44.5	CF4	M16
BT40 CF4-L	40	110	83	44.5	CF4	M16
BT50 CF4-S	50	63	25	44.5	CF4	M24
BT50 CF4-L	50	115	77	44.5	CF4	M24



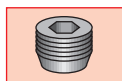
Spare Parts

Page 84



## DIN 69871 Form A-CF4

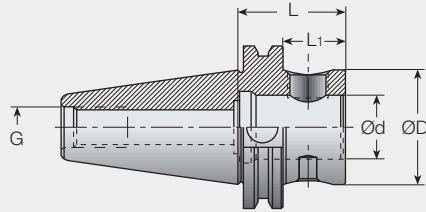
Designation	Taper	L	L1	D	d	G
DIN 69871 40 CF4-S	40	44.1	25	44.5	CF4	M16
DIN 69871 40 CF4-L	40	100	80.9	44.5	CF4	M16
DIN 69871 50 CF4-S	50	44.1	25	44.5	CF4	M24
DIN 69871 50 CF4-L	50	100	80.9	44.5	CF4	M24



Spare Parts

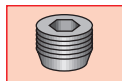
Page 84

# CLICKFIT



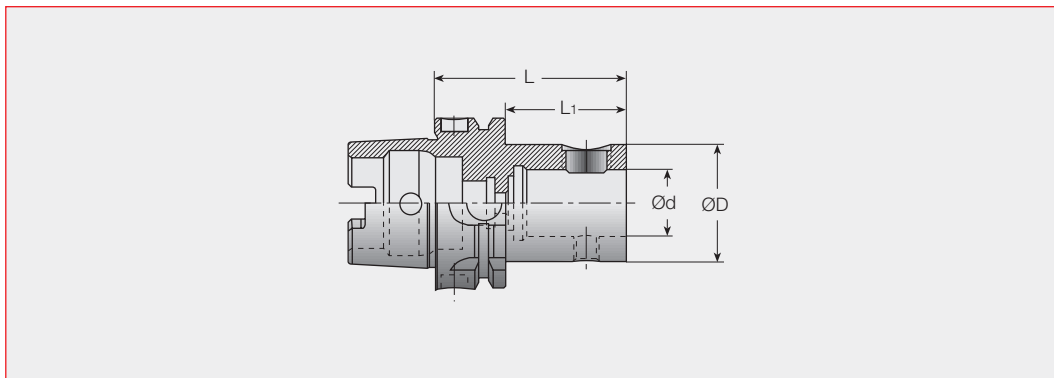
## CAT A.N.S.I. B5.50-CF4

Designation	Taper	L	L <sub>1</sub>	D	d	G
<b>CAT 40 CF4-S</b>	40	1.75"	1"	44.5	CF4	5/8"x11 UNC
<b>CAT 40 CF4-L</b>	40	4"	3.25"	44.5	CF4	5/8"x11 UNC
<b>CAT 50 CF4-S</b>	50	1.75"	1"	44.5	CF4	1"x8 UNC
<b>CAT 50 CF4-L</b>	50	4"	3.25"	44.5	CF4	1"x8 UNC



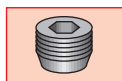
Spare Parts

Page 84



## HSK DIN 69893 Form A-CF4

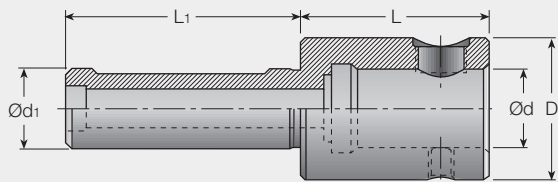
Designation	Taper	L	L <sub>1</sub>	D	d
HSK A63 CF4	63	70	44	44.5	CF4
HSK A100 CF4	100	76	47	44.5	CF4



Spare Parts

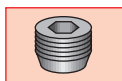
Page 84

# CLICKFIT



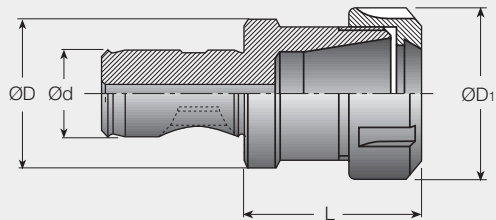
## ST-CF4 Straight Shanks

Designation	$d_1$ Shank	L	$L_1$	D	d
ST25 CF4	25	60	80	44	CF4
ST32 CF4	32	60	80	44	CF4



Spare Parts

Page 84

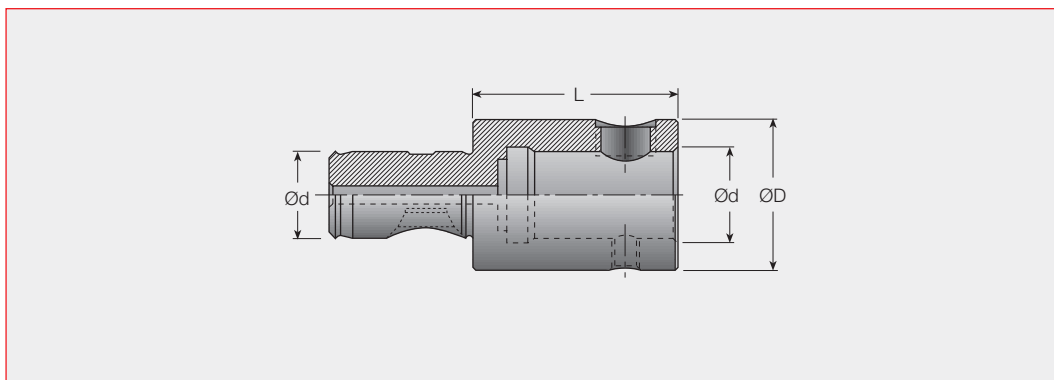


## ER-CF4 Collet Chuck ER 11-32

Designation	L	d	D <sub>1</sub>	øD
ER11 CF4-S	55	CF4	19	44
ER16 CF4-L	100	CF4	28	44
ER16 CF4-S	55	CF4	28	44
ER20 CF4-S	55	CF4	34	44
ER25 CF4-S	55	CF4	42	44
ER32 CF4-L	100	CF4	50	44
ER32 CF4-S	55	CF4	50	44

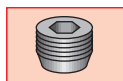
For spring collets and nuts, see ITS catalog.

# CLICKFIT



## EX-CF4 Extensions

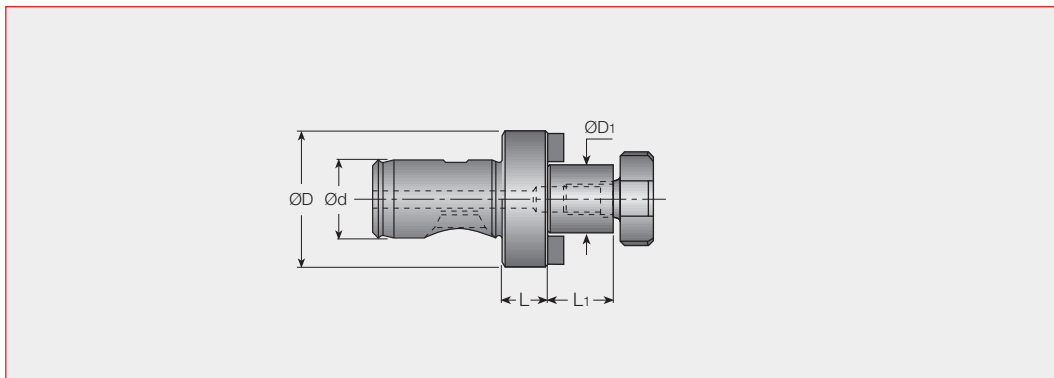
Designation	L	D	d
EX CF4-S	60	44	CF4
EX CF4-L	100	44	CF4



Spare Parts

Page 84

# CLICKFIT



## SEM-CF4 Shell Mill Holder

Designation	L	L <sub>1</sub>	D	d	D <sub>1</sub>
SEM CF4-22	16	19	47	CF4	22

# CLICKFIT

## Face Mills which Fit the CLICKFIT System

3M F90AX D50-22-13  
3M F90AX D50-22-20



F90AP D40-22  
F90AP D50-22  
F90AP D63-22  
F90A-D50-22-M  
F90A-D63-22-M



### Adapter



F45KT D50 22-R06  
F45KT D63 22-R06



F45AD D50-22



### Toolholder



F90AL D50-22-16  
F90AL D63-22-22



F90SP D50-22  
F90SP D63-22  
F90SD D50-22-12  
F90SD D63-22-12



F45ST D40-22  
F45ST D50-22  
F45ST D63-22



F75AP D50-22  
F75AP D63-22  
F75A D63-22-M



FCM D050-22-11  
FCM D063-22-12

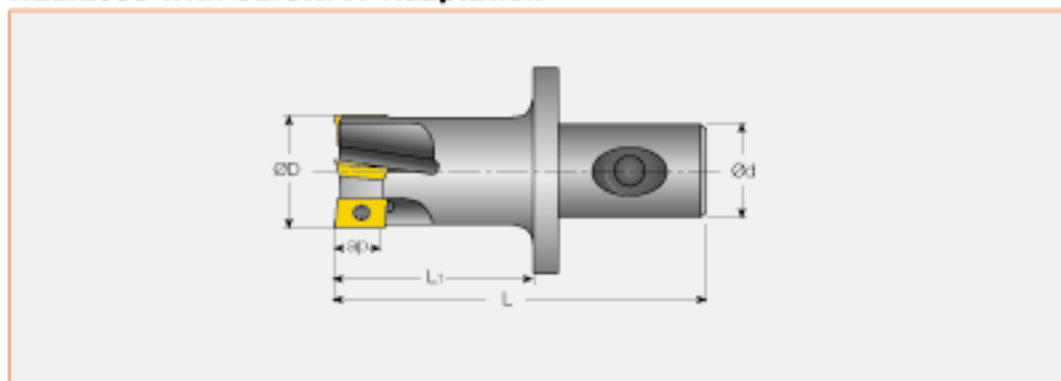


FRCM D50-22-CP12  
FRCM D63-22-CP12








# CLICKFIT

## HELI2000 with CLICKFIT Adaptation



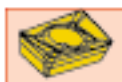
### HM90 E90A-CF4

Designation	D	Z	ap	L	L1	ed		 Kg
HM90 E90A D25-3-CF4	25	3	10	90	40	CF4		0.42
HM90 E90A D32-4-CF4	32	4	10	95	45	CF4		0.52
HM90 E90A D40-5-CF4	40	5	10	95	45	CF4		0.62



Spare Parts

Page 83



Inserts

Page 70