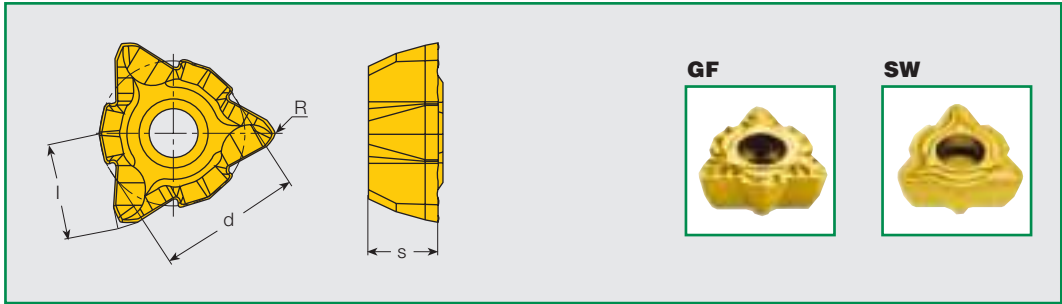


ISCARDRILL

Inserts for DZ Drills



WOLH

Designation	d	l	S	R	M			P
					IC908	IC328	IC28	IC350
WOLH 05T304-GF	8	5	3.81	0.4	●	●	○	
WOLH 05T304-SW	8	5	3.81	0.4	●	●	○	
WOLH 06T304-GF	10	6	3.81	0.4		●	○	●
WOLH 06T304-SW	10	6	3.81	0.4		●	○	●
WOLH 080404-GF	12	8	4.76	0.4		●	○	●
WOLH 080404-SW	12	8	4.76	0.4		●	○	●

ISO P
ISO M
ISO K

● Ex-stock ○ On request